

Installation Instructions

009718-01-10 – Low PIM Cable Support Bracket, Small

009718-02-10 – Low PIM Cable Support Bracket, Large

STEP 1

Attach threaded rods to bracket (Torque greater than 10 Ft-lb)

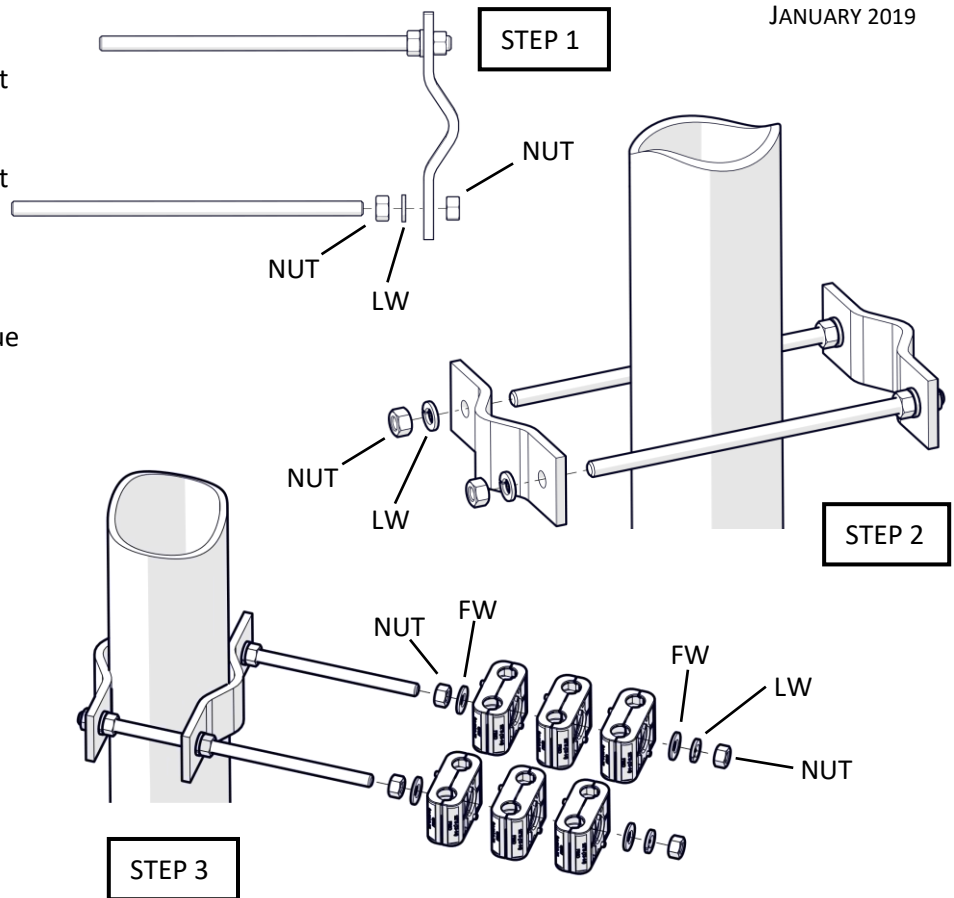
STEP 2

Attach clamp set to pole

STEP 3

Attach Cable Support Blocks (sold separately) to threaded rods.

Torque: 10 Ft-lb all connections
(ConcealFab Tool PN: 900053)



Installation Instructions

009718-01-10 – Low PIM Cable Support Bracket, Small

009718-02-10 – Low PIM Cable Support Bracket, Large

STEP 1

Attach threaded rods to bracket (Torque greater than 10 Ft-lb)

STEP 2

Attach clamp set to pole

STEP 3

Attach Cable Support Blocks (sold separately) to threaded rods.

Torque: 10 Ft-lb all connections
(ConcealFab Tool PN: 900053)

