

Features

Frequency range of 100 kHz to 108 MHz

Fully compliant with CISPR 25 / CISPR 16-1-2

“Air-core” inductors to prevent saturation

Individual Calibration Included

Three-Year Warranty



Description

The LI-550A Line Impedance Stabilization Network (LISN) provides the necessary measurement platform for performing power line conducted emissions compliance testing as required by most worldwide standards for commercial products. The LI-550A is compliant with both CISPR 25 and CISPR 16-1-2.

The LISN provides defined stable impedance and isolates the EUT from power source influences, thereby providing accurate and repeatable results.

The LI-550A includes one pair of, separately housed, single-conductor networks, to be installed in series with each current-carrying conductor in a single-phase, dual-phase or DC power system. A second LI-550A pair can be used to accommodate 3-phase power systems (Wye or Delta configurations).

The LI-550A is equipped with Superior Electric SUPERCON® shrouded sockets at the mains (power input) and EUT (power output) ports. The matching color-coded plugs for connection to the mains and EUT wiring are included.

This LISN uses air-core inductors to prevent saturation and permeability variation. The mounting plate of the LI-550A is left unpainted in order to facilitate connection to earth ground in its installation, which is essential due to high leakage current.

Transient Protection

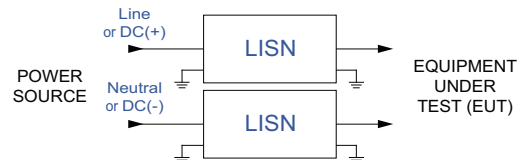
Use of a Transient Limiter for impedance matching, reduction of out-of-band emissions and transient protection for your measurement instrument is highly recommended and available from Com-Power.

Calibration

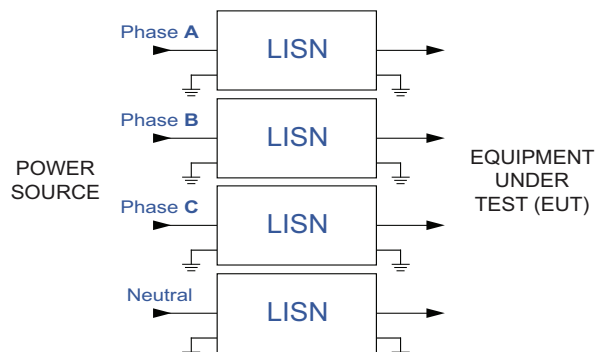
All LI-550A LISNs are individually calibrated in compliance with the relevant requirements of CISPR 25 and CISPR 16-1-2. Impedance, Phase, Isolation, and Insertion Loss data is supplied with each unit, along with the calibration certificate.

Typical Connection Diagrams

Single Phase connection with one set of LISN



Three Phase connection with two sets of LISNs



Application

Product Name	Line Impedance Stabilization Network (LISN)
Specification	CISPR 25 / CISPR 16-1-2
Application	Power line conducted emissions tests
Frequency Range	100 kHz to 108 MHz
RF Connector	50Ω N-type (female)
Current Rating	50 Amperes _(AC) , 35 Amperes _(DC)
Voltage Rating	270 VAC (Line to Ground), 380 VDC
Inductors	5 μH (air-core)
Mains & EUT Connections	Superior Electric SUPERCON ® shrouded sockets
Dimensions (each network)	13 x 7 x 7 inches / 33 x 17.7 x 17.7 cm
Weight (each network)	14 lbs. / 6.3 kg
Insertion Loss	< 1.5 dB (150 kHz to 30 MHz)
Isolation	> 20 - 40 dB (100 kHz to 3 MHz) > 40 dB (3 MHz to 30 MHz)

All specifications are subject to change without notice.
All values are typical, unless specified.

