

Technical Specification

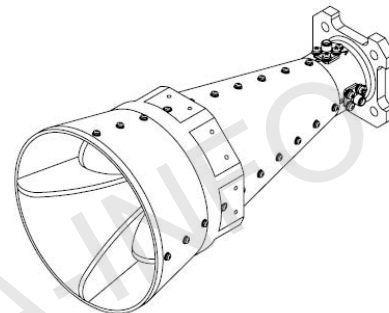
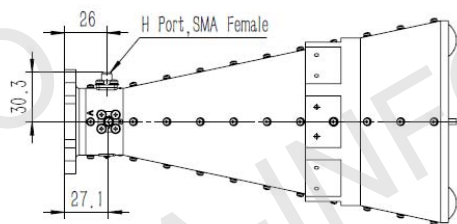
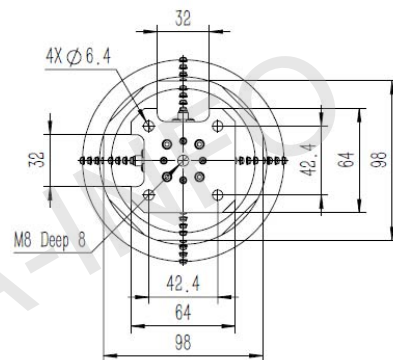
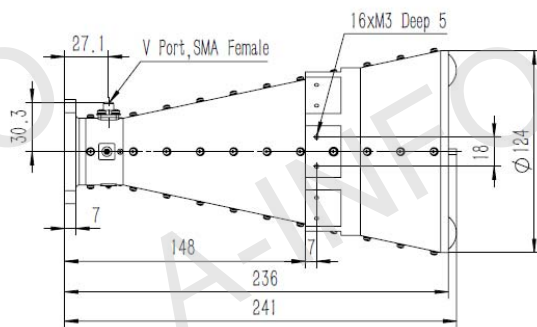


Frequency Range(GHz)	2.0 – 18.0
Gain(dBi)	16 Typ.
Polarization	Dual Pol.
3dB Beamwidth(deg)	86 - 11
Cross Pol. Isolation(dB)	30 Typ.
	20 Min.
Port to Port Isolation(dB)	40 Typ.
	30 Min.
VSWR	1.5:1 Typ.
	2.0:1 Max.
Output	SMA-Female or N-Female
Power Handling(W CW)	SMA-Female: 25 Max.
	N-Female: 25 Max.
Material	Al
Size(mm)	124 x 124 x 241
Net Weight(Kg)	0.87 Around

Outline Drawing (Size: mm)

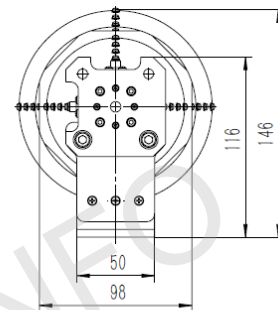
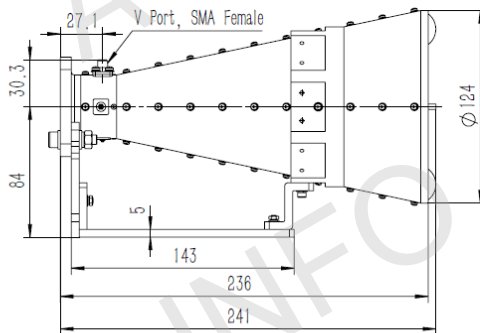
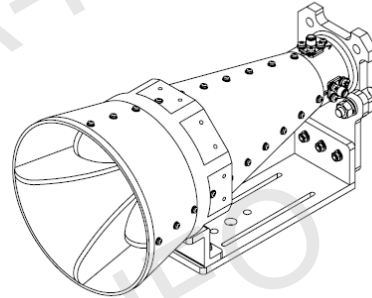
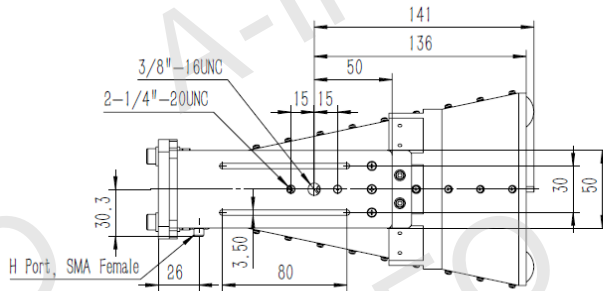
SMA-Female Output (P/N: LB-CSJ-20180-SF)

For N-Female output outline drawing, please contact A-INFO.



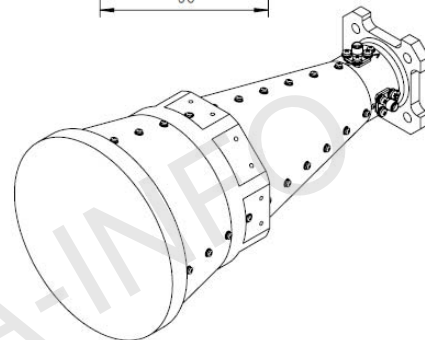
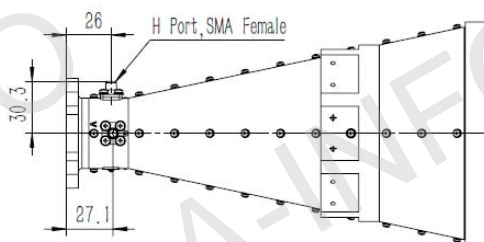
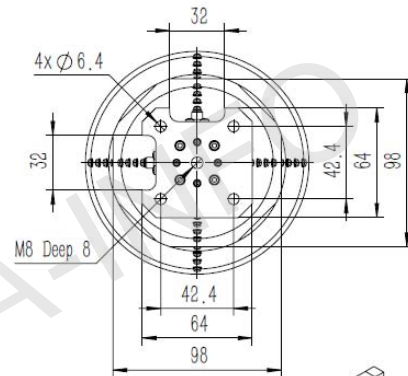
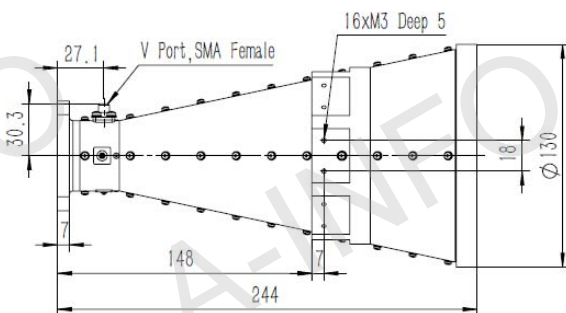
SMA-Female Output with L Type Mounting Bracket (Option, P/N: LB-CSJ-20180-L)

For N-Female output outline drawing, please contact A-INFO.



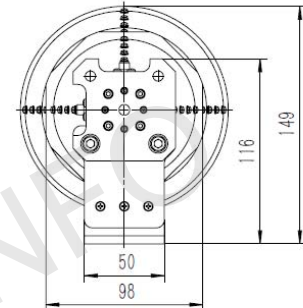
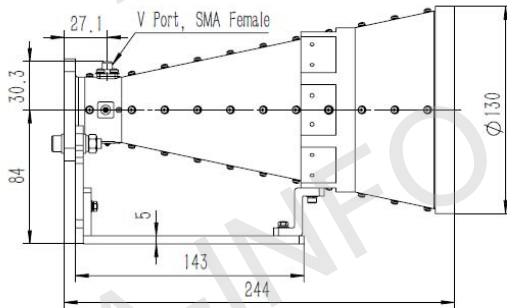
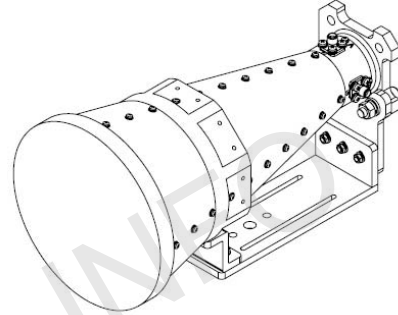
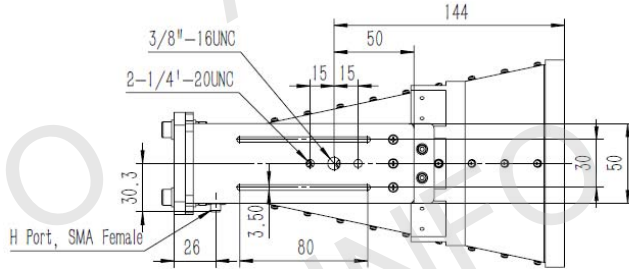
SMA-Female Output with Radome (Option, P/N: LB-CSJ-20180-SFSP0)

For N-Female output outline drawing, please contact A-INFO.



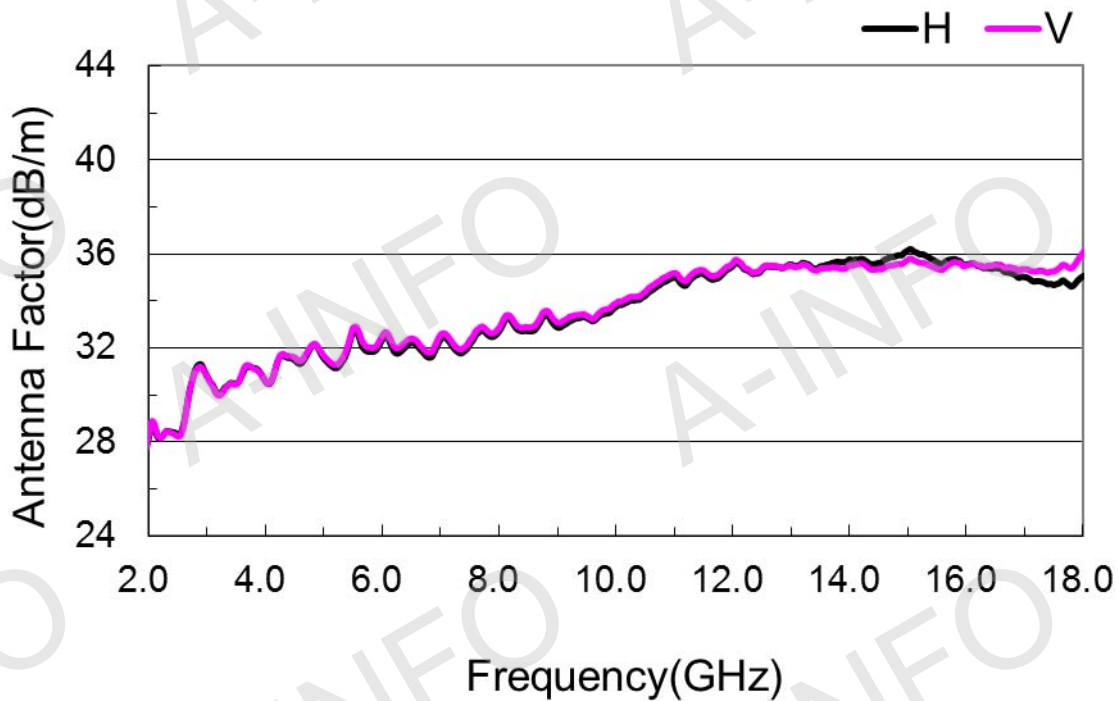
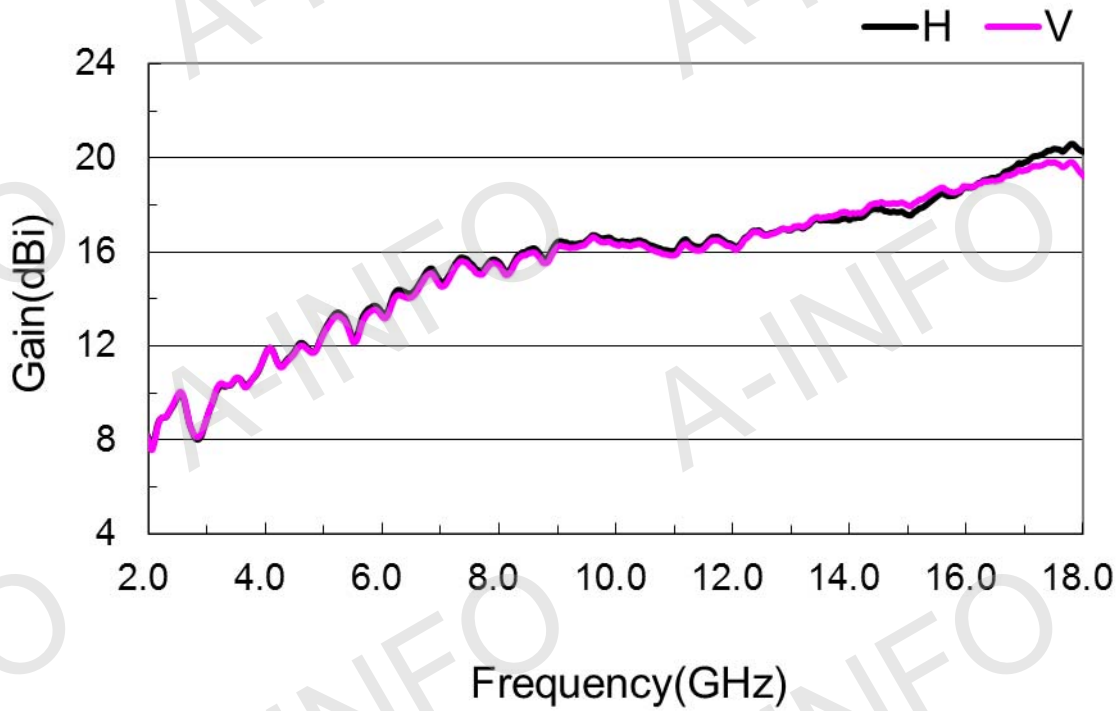
SMA-Female Output with L Type Mounting Bracket & Radome (Option, P/N: LB-CSJ-20180-L & LB-CSJ-20180-SFSP0)

For N-Female output outline drawing, please contact A-INFO.

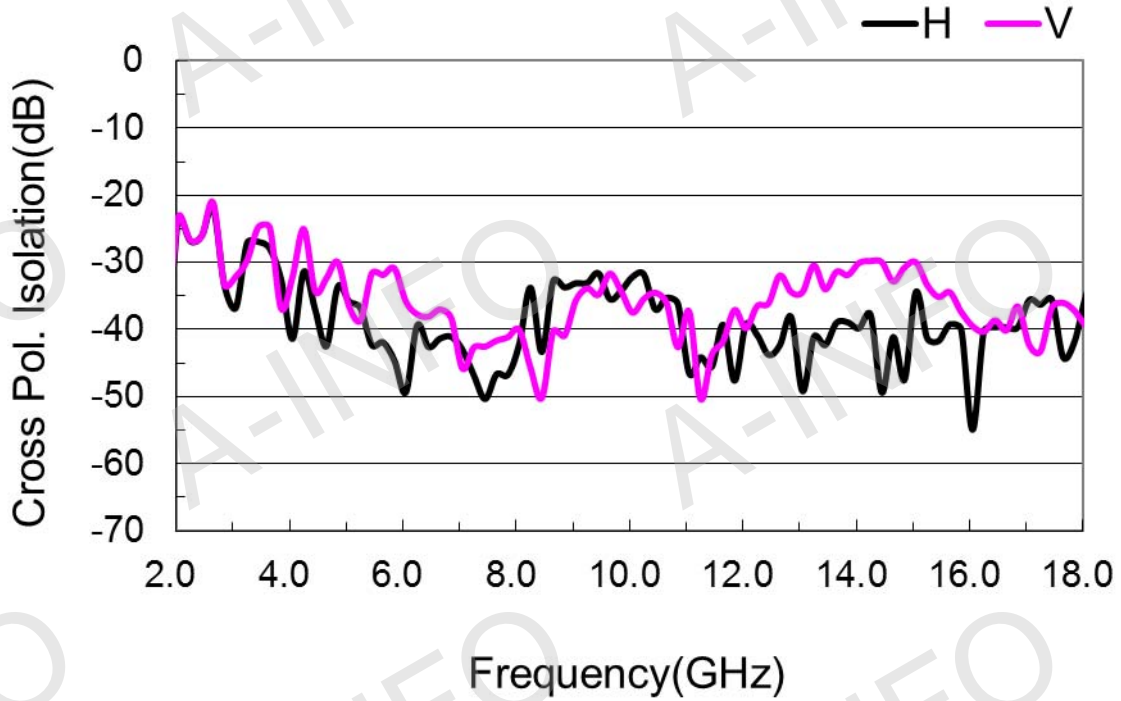


Test Results

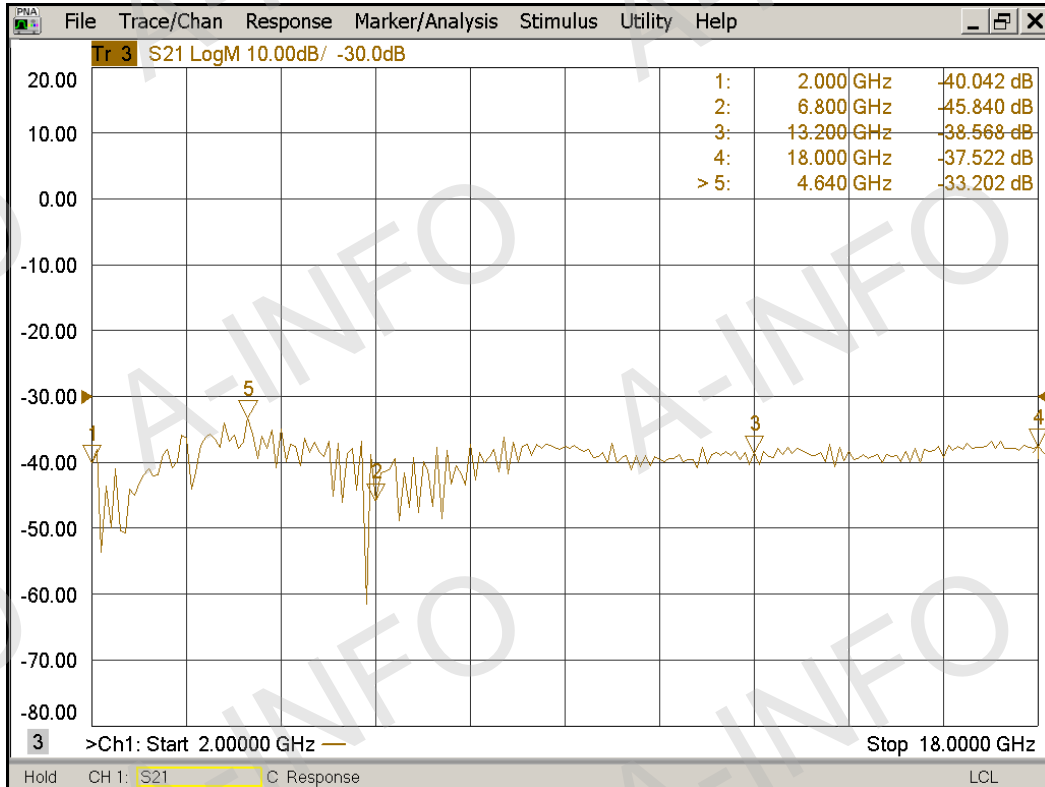
1. Gain and Antenna Factor



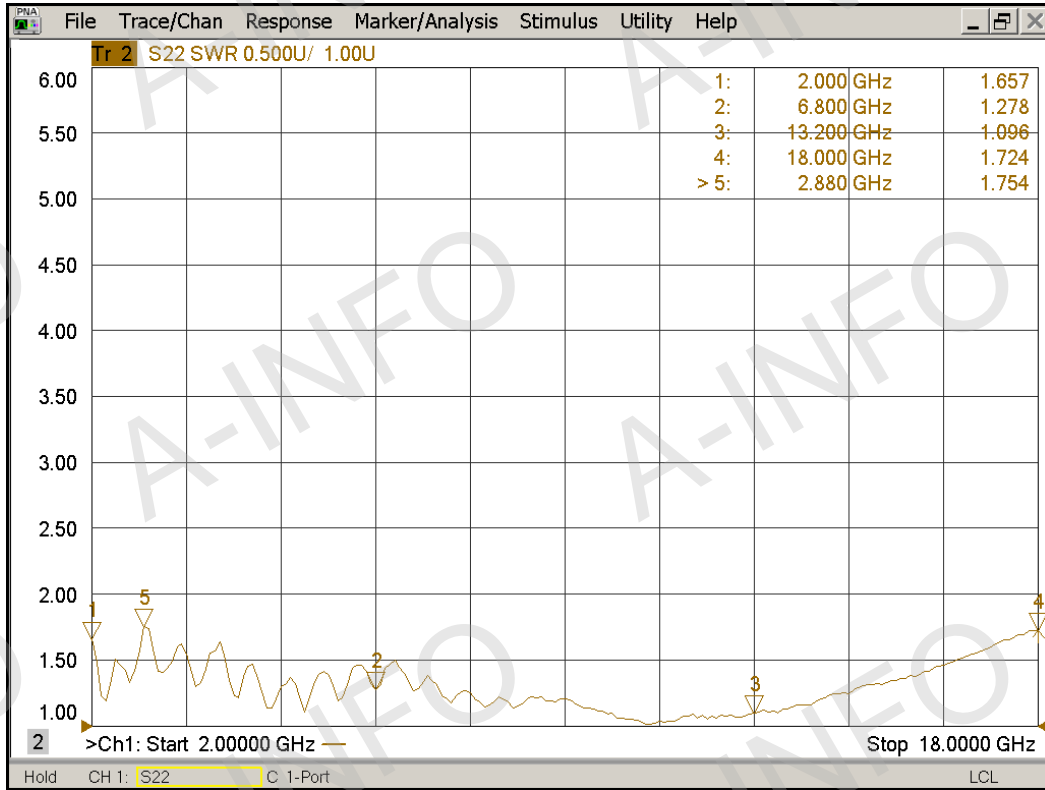
2. Cross Polarization Isolation



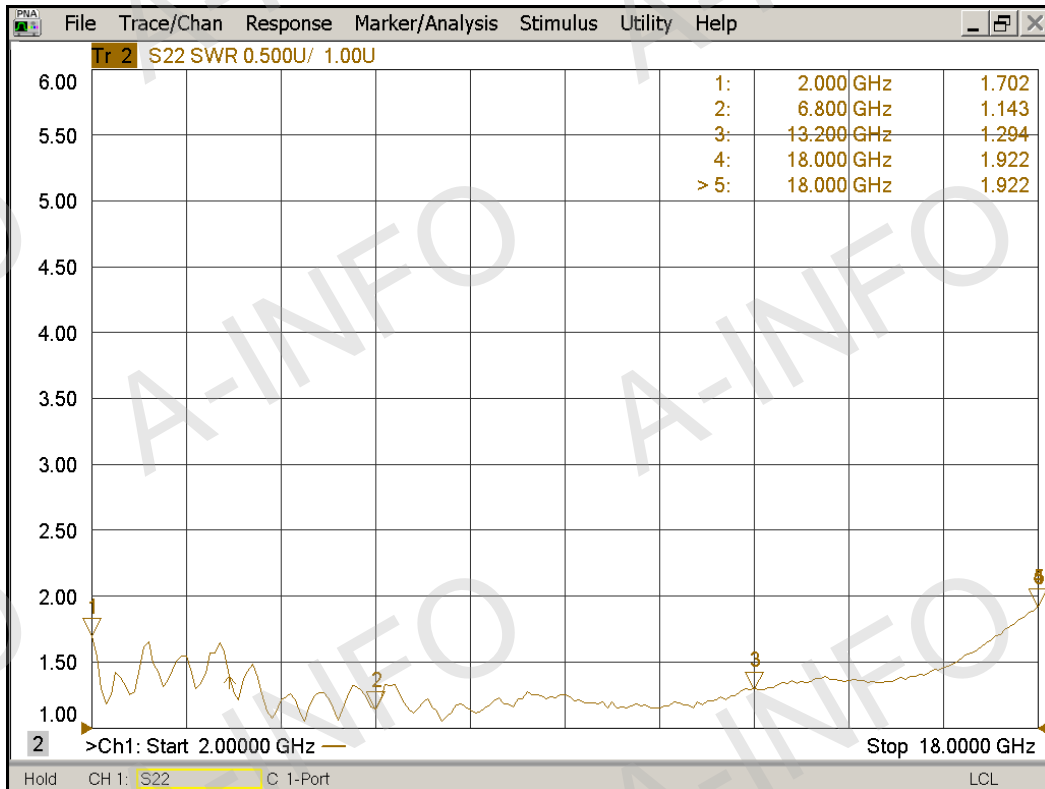
3. Port to Port Isolation



4. VSWR Port-H



Port-V



5. Pattern

